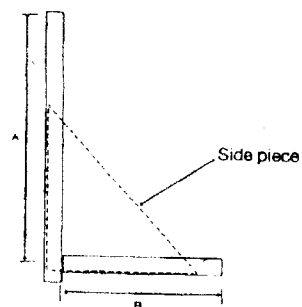
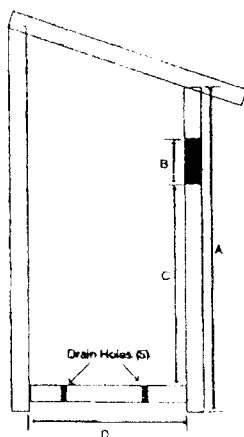


Appendix Q: Nest Box Specifications

¹ Requires habitat to include open areas, such as fields or meadows.

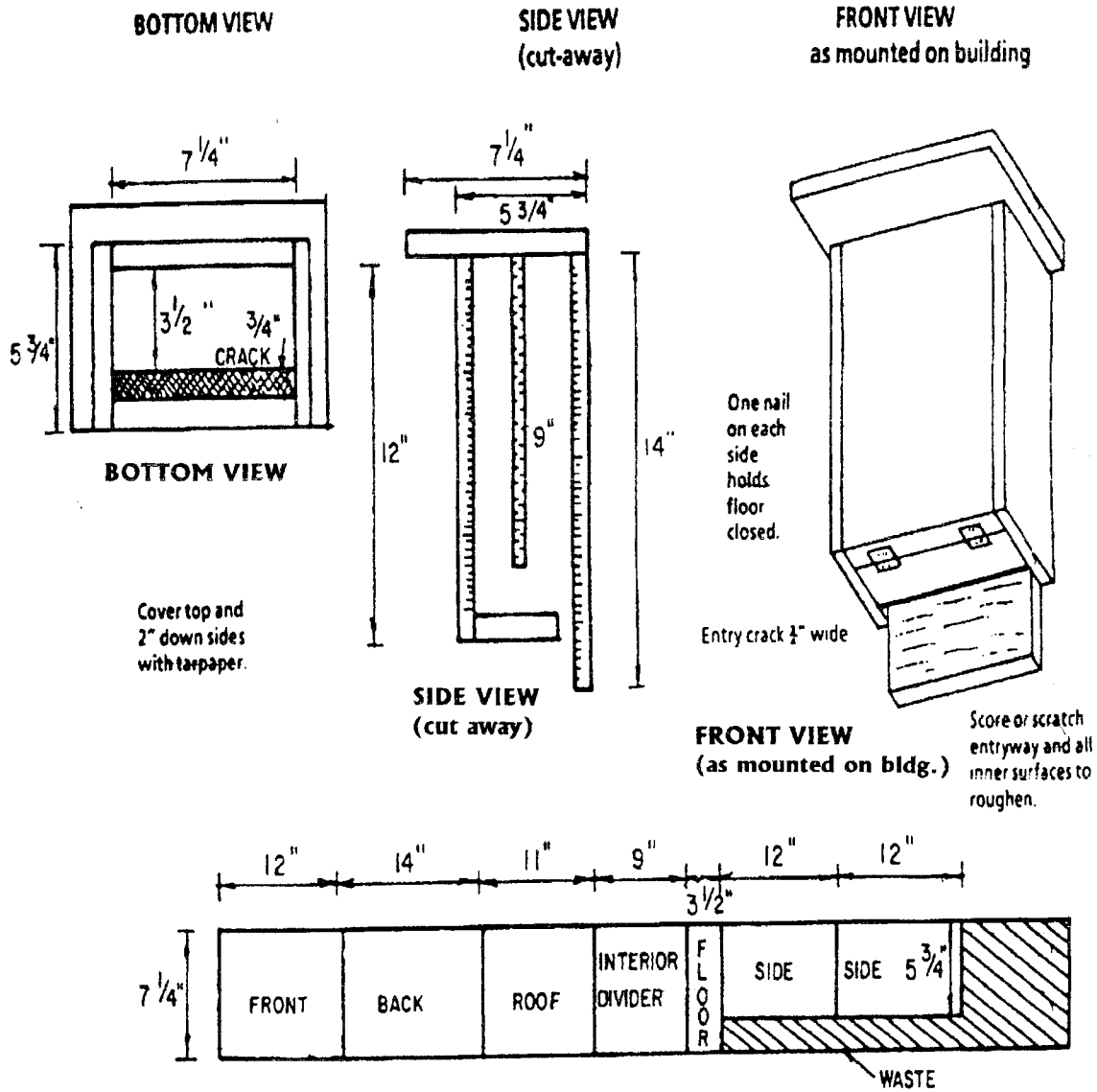
² Two or more sides need to be open (nesting shelf).

³ Requires habitat to include wetland type areas, such as ponds, lakes, or streams.



BIRD SPECIES (Inches)	FLOOR SIZE (Inches)	DEPTH OF CAVITY (Inches)	ENTRANCE HEIGHT ABOVE FLOOR (Inches)	DIAMETER OF ENTRANCE (Inches)	HEIGHT ABOVE GROUND (Feet)
American Kestrel	7 3/4 x 7 3/4	16	11 1/2	3	10 - 30
Ash-throated Flycatcher	6 x 6	8 - 10	6 - 8	1 1/2	8 - 20
Barn Owl	10 x 18	15 - 18	4	6	12 - 18
Barn Swallow	6 x 6	6	2	2	8-12
House Wren	4 x 4	8 - 10	1 - 6	1 1/4	6 - 10
Juniper and Black-crested Titmice	4 x 4	8 - 10	6 - 8	1 1/4	6 - 15
Ladder-backed Woodpecker	6 x 6	12 - 15	9 - 12	1 1/2	12 - 20
Mountain Chickadee	4 x 4	8 - 10	6 - 8	1 1/8	4 - 15
Northern Flicker	7 x 7	16 - 18	14 - 16	2 1/2	6 - 20
Violet-Green Swallow	5 x 5	8	6	1.5	3 - 4
Western Bluebird	5 x 5	8	6	1 1/2	5
Western Screech Owl	8 x 8	12 - 15	9 - 12	3	10 - 30
White-breasted Nuthatch	4 x 4	8 - 10	6 - 8	1.25	12 - 20
Wood Duck	10 x 18	10 - 24	12 - 16	4	10 - 20

Appendix R: Bat House Plan (Small)

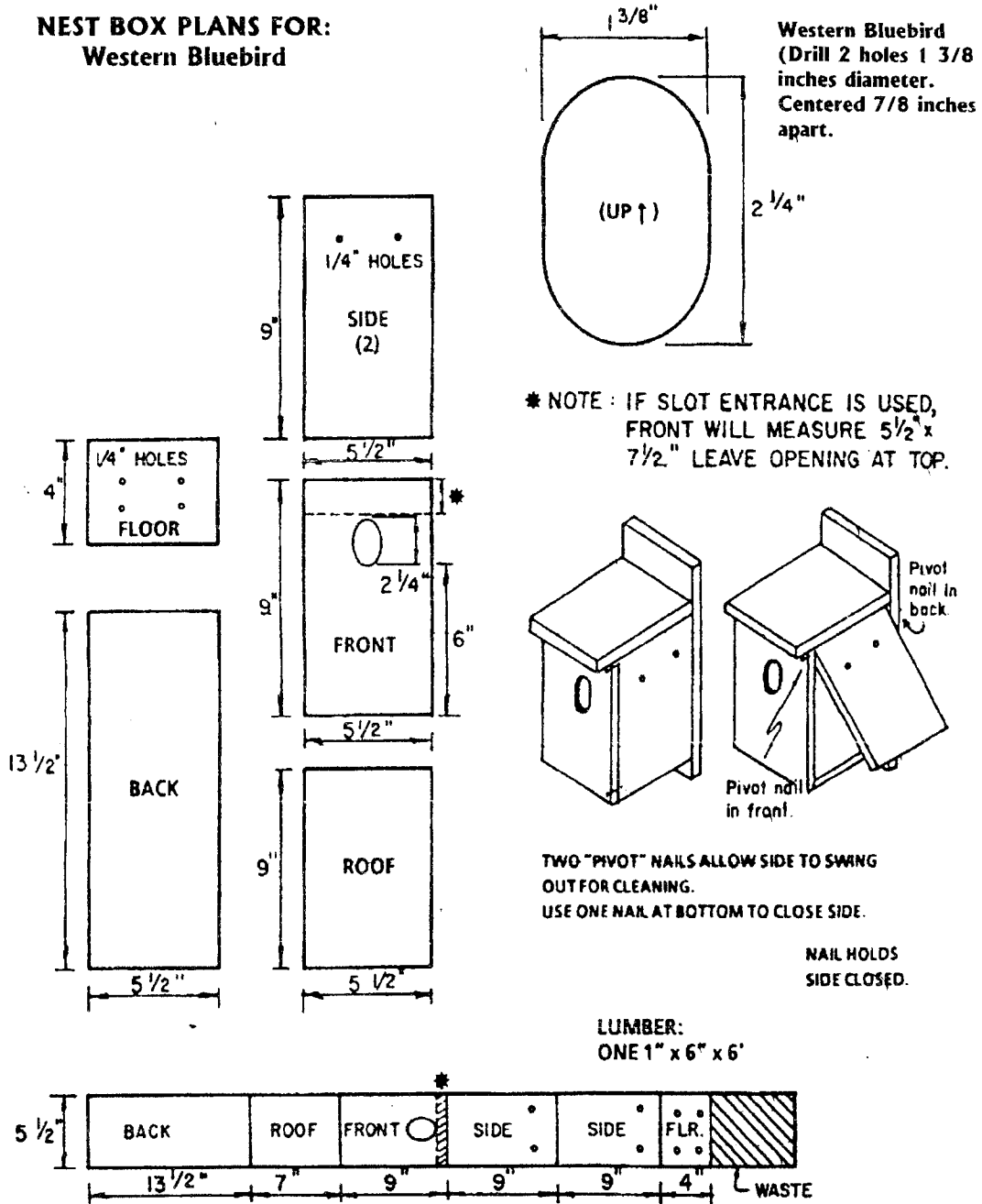


LUMBER: 1 inch X 8 inch X 8 feet

Plans for a small bat house. Reprinted from Woodworking for Wildlife, Minnesota Department of Natural Resources

Appendix S: Small Nest Box Plan

NEST BOX PLANS FOR: Western Bluebird



Plans for bluebird nest box. Reprinted from Woodworking for Wildlife, Minnesota Department of Natural Resources.

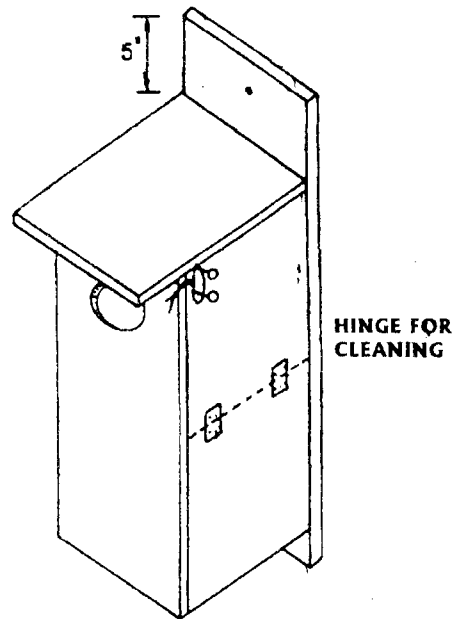
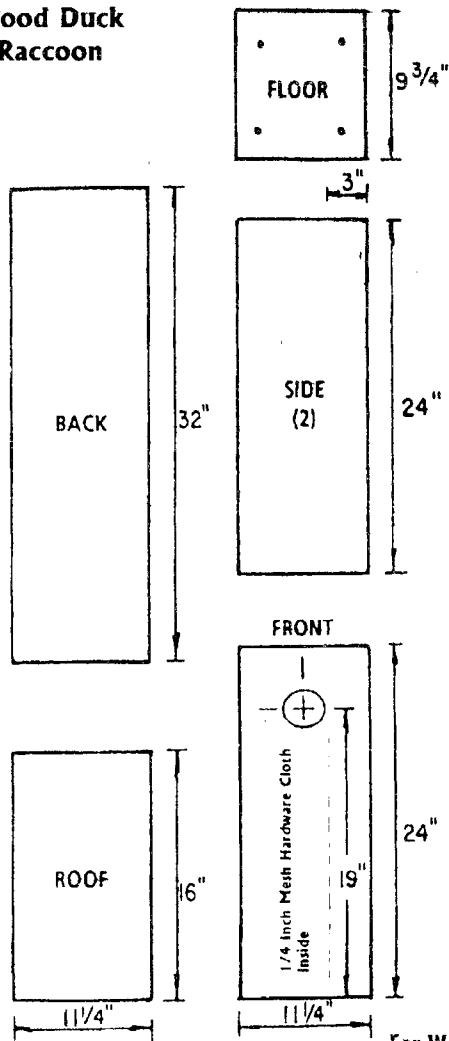
Appendix T: Large Nest Box Plan

NEST BOX PLANS FOR:

**Wood Duck
Raccoon**

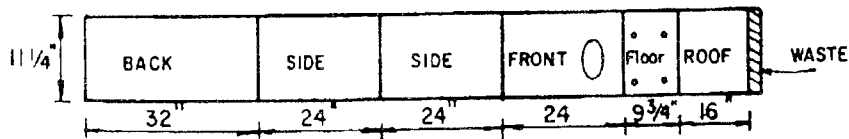
Hole Dimensions

Wood Duck 3" high & 4" wide oval
Raccoon 5" high & 9" wide oval



Lumber
One 1 inch X 12 inch X 12 foot

For Wood Duck House:
Place 3 to 4 inches of
Wood chips in bottom of
box.



Plans for wood duck and raccoon nest box Printed from the Woodworking for Wildlife, Minnesota Department of Natural Resources.